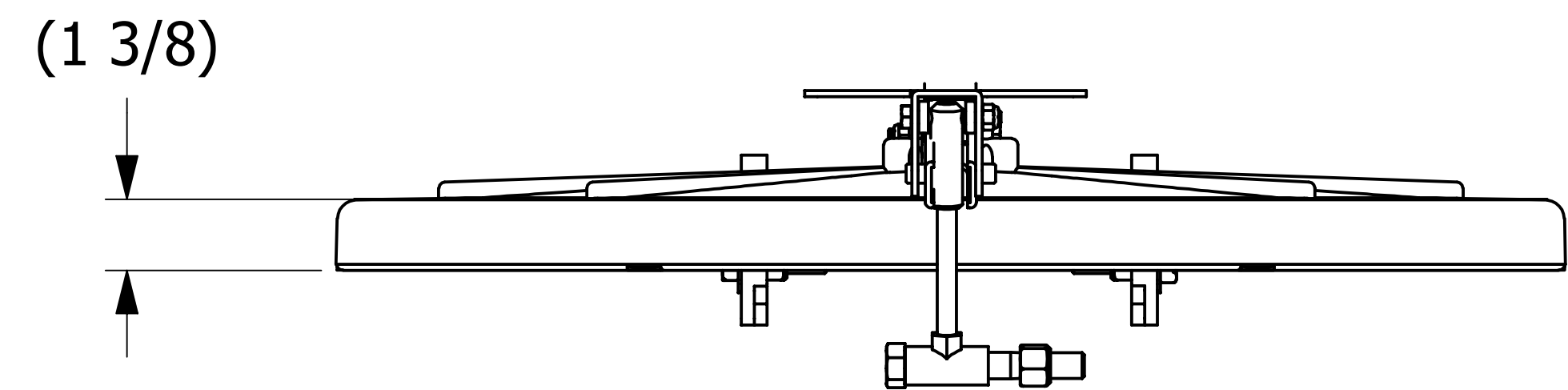
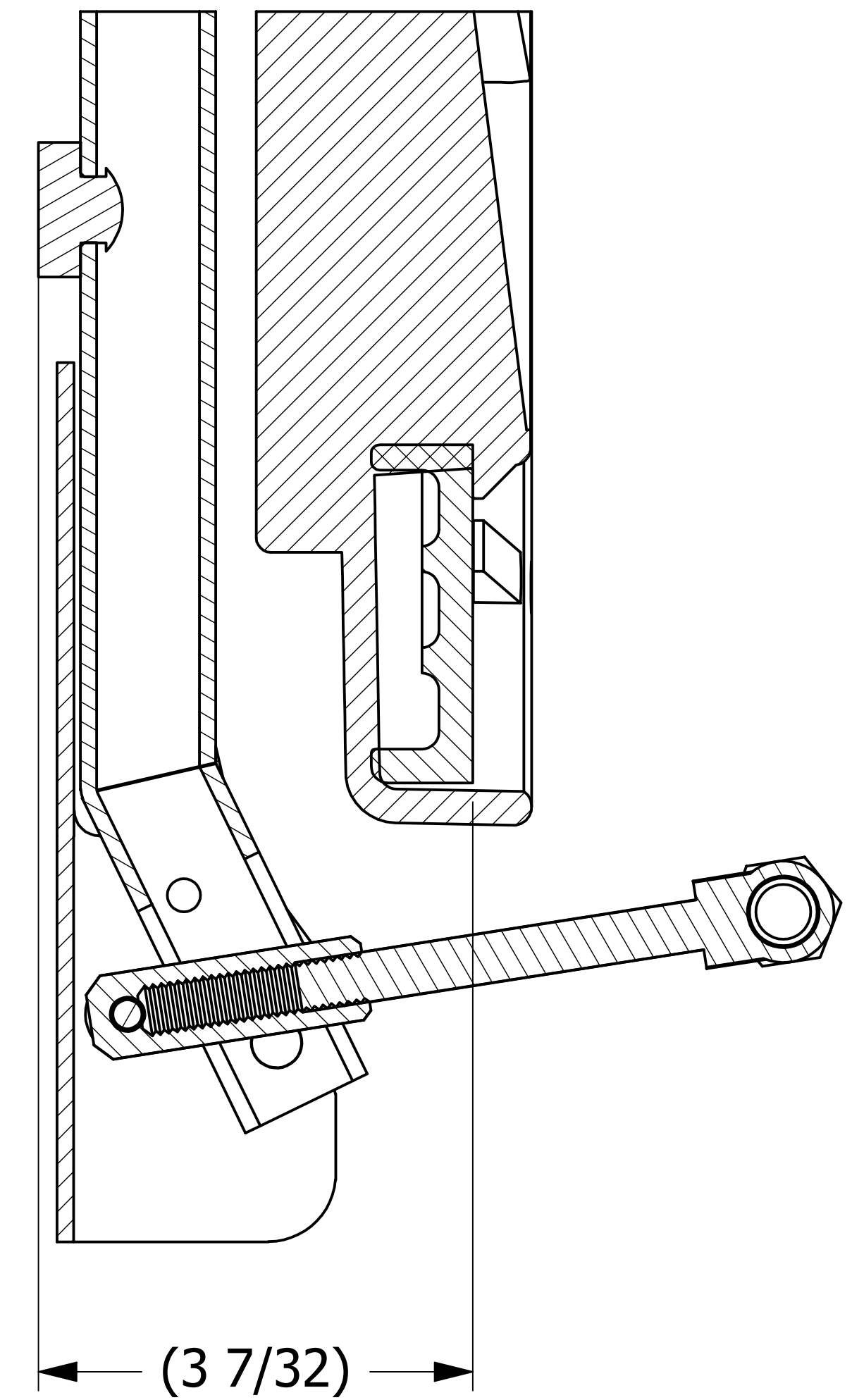
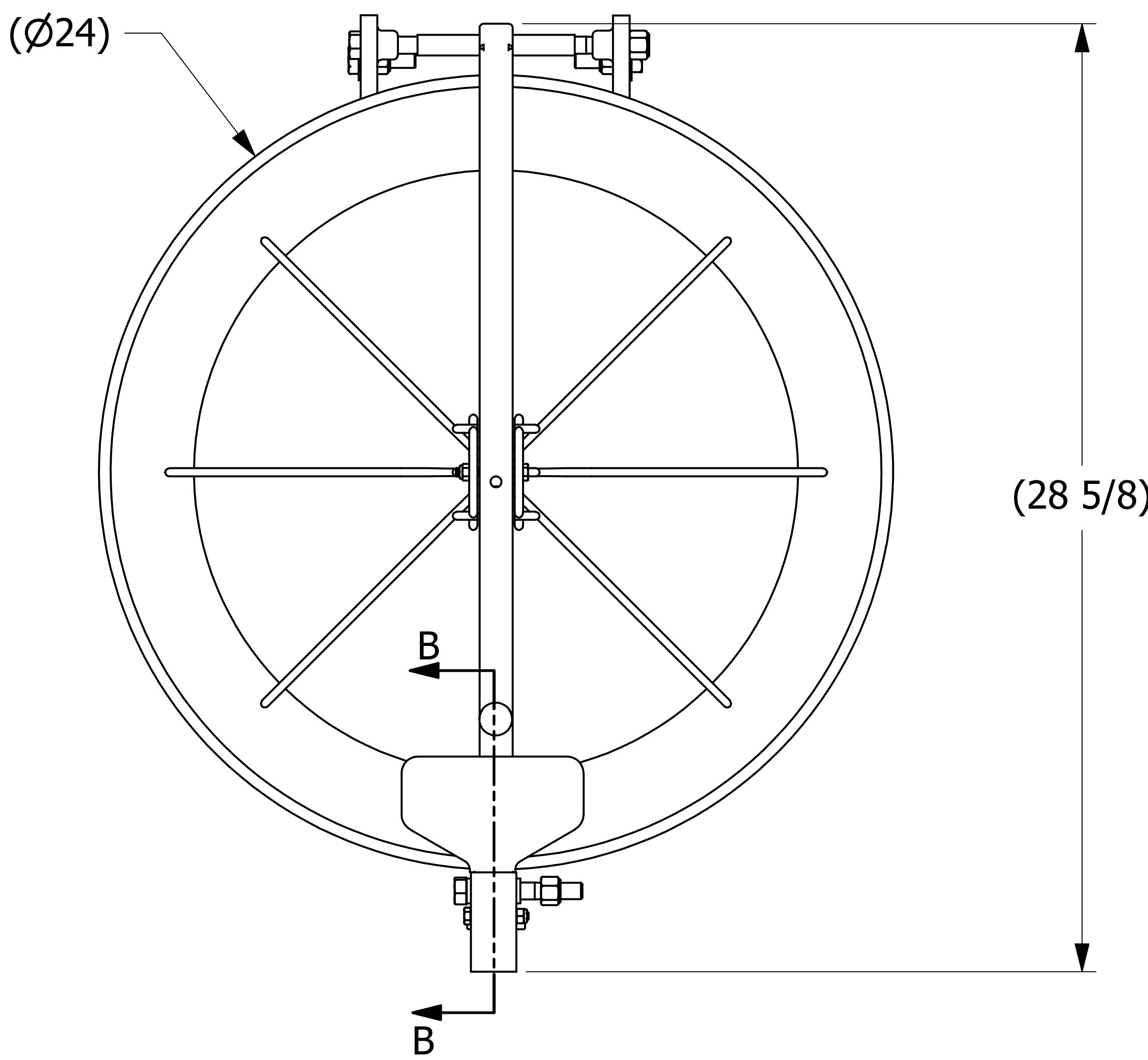
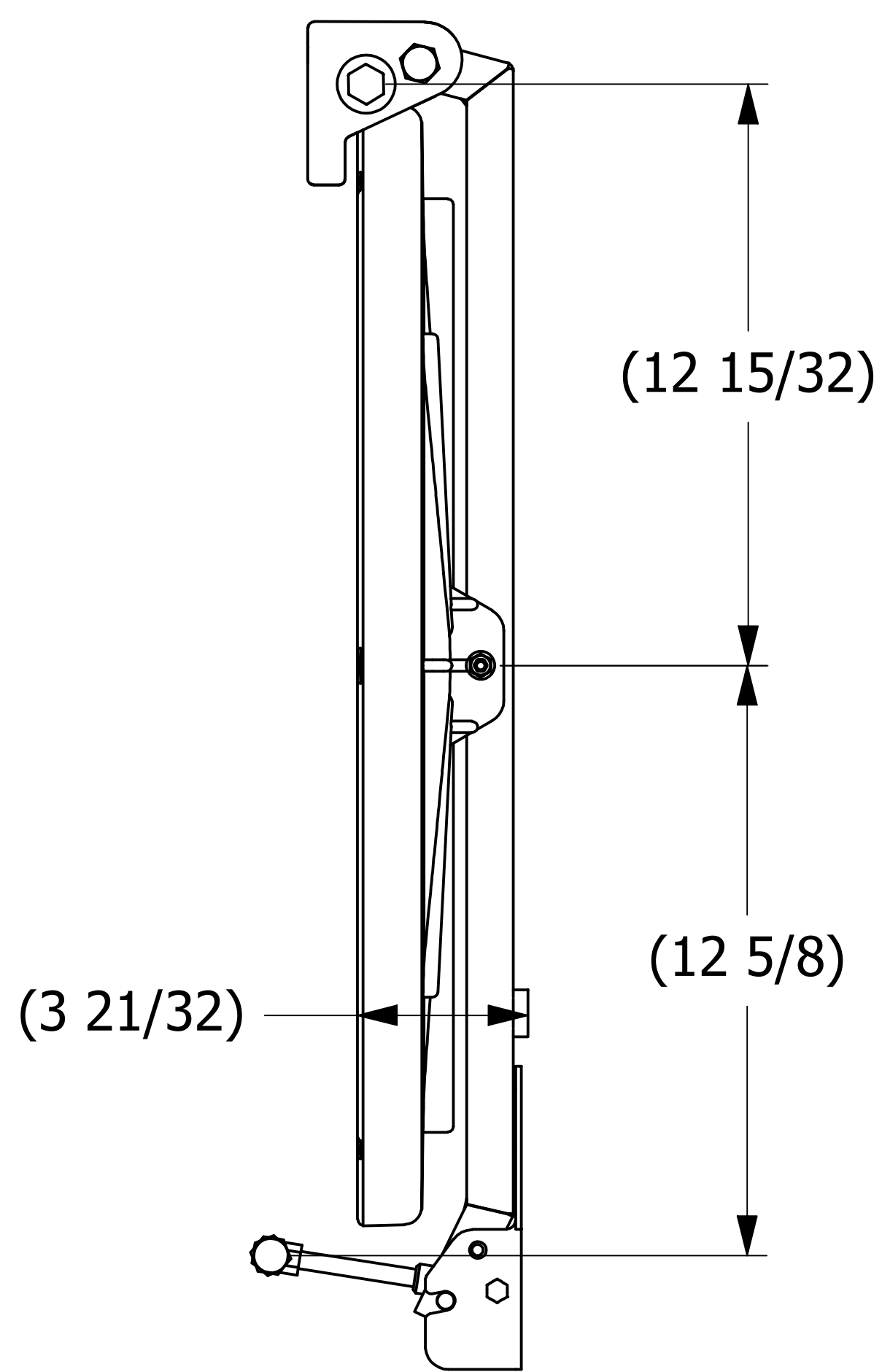


SALES DRAWING

SALES DRAWING



A	WEB	5-28-14	RELEASED FOR PRODUCTION
REV	BY	DATE	DESCRIPTION
<b>SALCO PRODUCTS, INC.</b>			
PART NAME: <b>HATCH COVER 20"</b>			
MATERIAL: <b>ABS/SS</b>		PROJECT #: <b>140212T</b>	SHEET #: <b>1 OF 1</b> SCALE: <b>1:2</b>
DRAWING #: <b>D39089</b>		PART #: <b>RSAHC20THB</b>	

UNLESS OTHERWISE SPECIFIED DIMENSIONAL TOLERANCES FRACTIONAL: ±1/16 X.XX: ±.03 X.XXX: ±.015 ANGULAR: ±1° DEBURR ALL SHARP EDGES. ALL MACHINED SURFACES TO HAVE A 125 RMS FINISH UNLESS NOTED OTHERWISE. THIRD ANGLE PROJECTION	DRAWN BY:	WEB
	CHECKED BY:	CHL
	PROTOTYPE BY:	WEB
	PROTOTYPE DATE:	5/20/2014
	APPROVED FOR PRODUCTION BY:	WEB
	PRODUCTION DATE:	5/28/2014

THIS PRINT, PROPERTY OF SALCO PRODUCTS INC. CONTAINS PROPRIETARY INFORMATION AND MUST NOT BE COPIED, REPRODUCED, OR USED DETRIMENTALLY TO OUR INTEREST.